

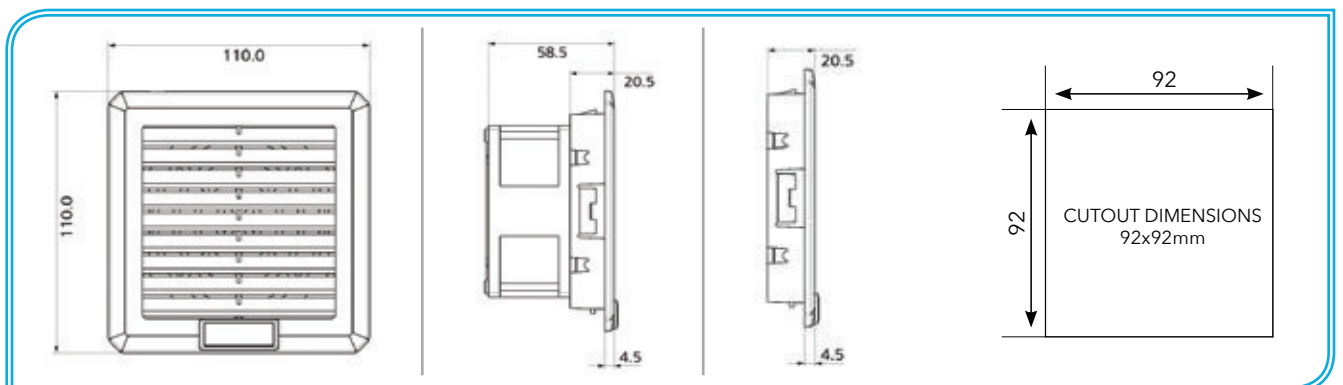


# FILTER FANS

## 30m<sup>3</sup>/h

Ventilation / Filter Fans - 30m<sup>3</sup>/h

Models	Unit	PFI 1000	PTF 1000
Air Flow Rate	m <sup>3</sup> /h	-	30 (41)
Power Supply	V/Hz	-	230V 50-60Hz
Dimensions	mm	110x110x20.5	110x110x58.5
Power Consumption	W	-	14 (13)
Current Consumption	A	-	0.08/0.07
Overcurrent Protection	-	-	Impedance
Electrical Connection	-	-	Lead wire
Operating Temperature	°C	-10/+70	
Protection Degree	-	IP54	IP54 / Class I
Noise Level	dB(A)	-	28 (31)
Flow Direction	-	-	Outside-In
Bearing	-	-	Sleeve
Plastic Material	-	UL94 V0 ABS Flame Retardant	
Gasket	-	Self-Adhesive	
Colour	-	RAL7035 (RAL7032 on request)	
Weight	kg	0.10	0.40
Mounting	-	Fast Clip-on	
Conformity	-	CE	



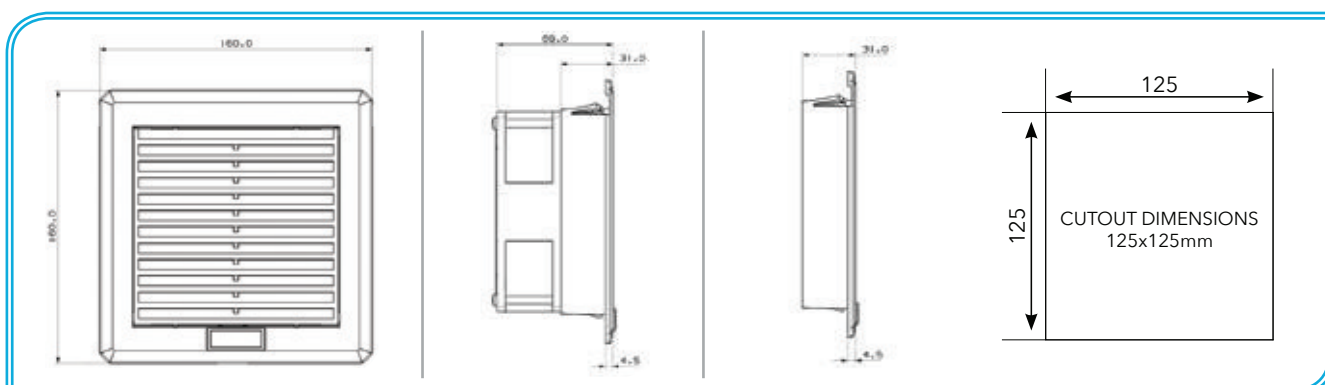


# FILTER FANS

## 100 m<sup>3</sup>/h

Models	Unit	PFI 1500	PTF 1500
Air Flow Rate	m <sup>3</sup> /h	-	100 (140)
Power Supply	V/Hz	-	230V 50-60Hz
Dimensions	mm	160x160x31	160x160x69
Power Consumption	W	-	26 (23)
Current Consumption	A	-	0.14/0.13
Overcurrent Protection	-	-	Impedance
Electrical Connection	-	-	Lead wire
Operating Temperature	°C	-10/+70	
Protection Degree	-	IP54	IP54 / Class I
Noise Level	dB(A)	-	42 (46)
Flow Direction	-	-	Outside-In
Bearing	-	-	Ball
Plastic Material	-	UL94 V0 ABS Flame Retardant	
Gasket	-	Polyurethane sealing	
Colour	-	RAL7035 (RAL7032 on request)	
Weight	kg	0.18	0.68
Mounting	-	Fast Clip-on	
Conformity	-	CE	

Ventilation / Filter Fans - 100m<sup>3</sup>/h



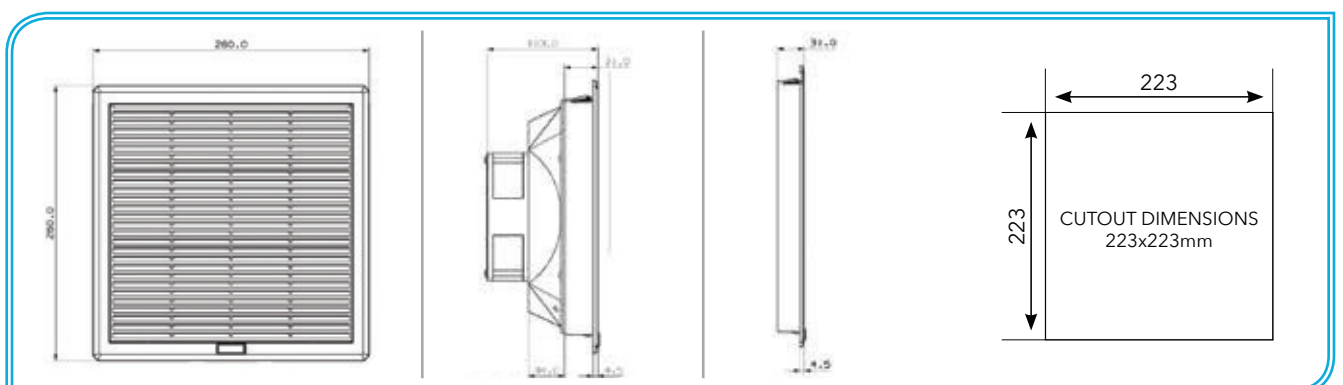


# FILTER FANS

## 115m<sup>3</sup>/h

Ventilation / Filter Fans - 115m<sup>3</sup>/h

Models	Unit	PFI 2500	PTF 2500
Air Flow Rate	m <sup>3</sup> /h	-	115 (130)
Power Supply	V/Hz	-	230V 50-60Hz
Dimensions	mm	260x260x31	260x260x103
Power Consumption	W	-	26 (23)
Current Consumption	A	-	0.14/0.13
Overcurrent Protection	-	-	Impedance
Electrical Connection	-	-	3-pole terminal
Operating Temperature	°C	-10/+70	
Protection Degree	-	IP54	IP54 / Class I
Noise Level	dB(A)	-	42 (46)
Flow Direction	-	-	Outside-In
Bearing	-	-	Ball
Plastic Material	-	UL94 V0 ABS Flame Retardant	
Gasket	-	Polyurethane sealing	
Colour	-	RAL7035 (RAL7032 on request)	
Weight	kg	0.48	1.18
Mounting	-	Fast Clip-on	
Conformity	-	CE	



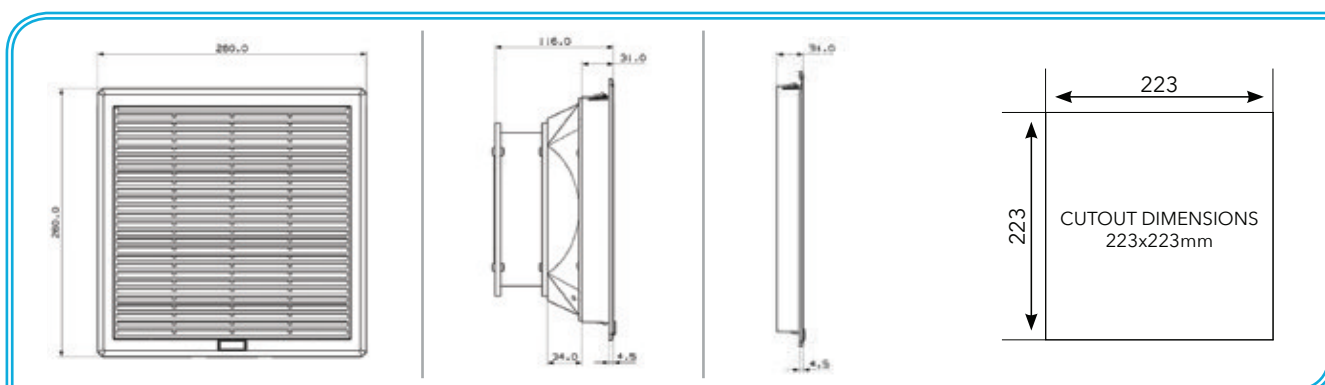


# FILTER FANS

## 240m<sup>3</sup>/h

Models	Unit	PFI 2500	PTF 3500
Air Flow Rate	m <sup>3</sup> /h	-	240 (270)
Power Supply	V/Hz	-	230V 50-60Hz
Dimensions	mm	260x260x31	260x260x116
Power Consumption	W	-	37 (35)
Current Consumption	A	-	0.23/0.22
Overcurrent Protection	-	-	Impedance
Electrical Connection	-	-	3-pole terminal
Operating Temperature	°C	-10/+70	
Protection Degree	-	IP54	IP54 / Class I
Noise Level	dB(A)	-	52 (53)
Flow Direction	-	-	Outside-In
Bearing	-	-	Ball
Plastic Material	-	UL94 V0 ABS Flame Retardant	
Gasket	-	Polyurethane sealing	
Colour	-	RAL7035 (RAL7032 on request)	
Weight	kg	0.48	1.60
Mounting	-	Fast Clip-on	
Conformity	-	CE	

Ventilation / Filter Fans - 240m<sup>3</sup>/h



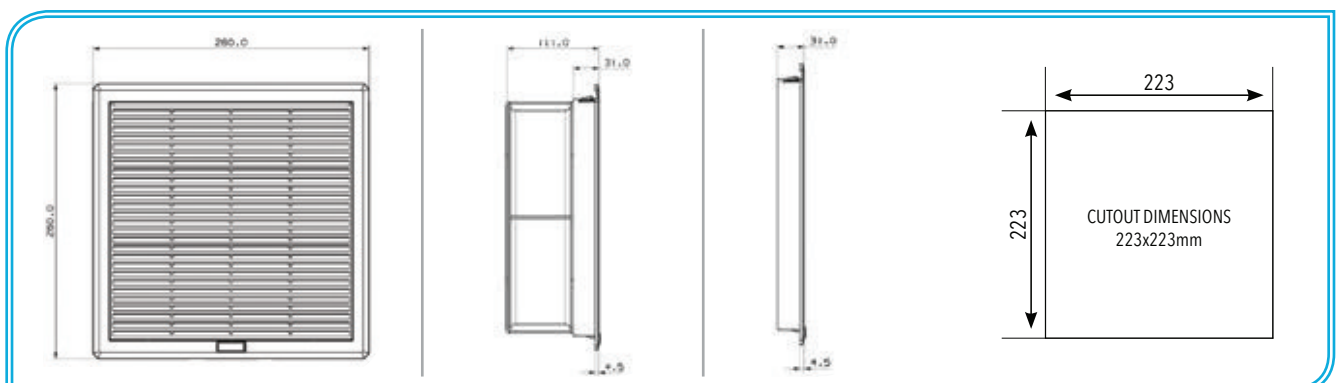


# FILTER FANS

## 650m<sup>3</sup>/h

Ventilation / Filter Fans - 650m<sup>3</sup>/h

Models	Unit	PFI 2500	PTF 4500
Air Flow Rate	m <sup>3</sup> /h	-	650 (900)
Power Supply	V/Hz	-	230V 50-60Hz
Dimensions	mm	260x260x31	260x260x111
Power Consumption	W	-	66 (75)
Current Consumption	A	-	0.35/0.38
Overcurrent Protection	-	-	Thermal
Electrical Connection	-	-	4-pole terminal
Operating Temperature	°C	-10/+70	
Protection Degree	-	IP54	IP54 / Class I
Noise Level	dB(A)	-	60 (63)
Flow Direction	-	-	Outside-In
Bearing	-	-	Ball
Plastic Material	-	UL94 V0 ABS Flame Retardant	
Gasket	-	Polyurethane sealing	
Colour	-	RAL7035 (RAL7032 on request)	
Weight	kg	0.48	2.84
Mounting	-	Fast Clip-on	
Conformity	-	CE	





# FILTER FANS

## 850m<sup>3</sup>/h

Models	Unit	PFI 3000	PTF 5000
Air Flow Rate	m <sup>3</sup> /h	-	850 (1200)
Power Supply	V/Hz	-	230V 50-60Hz
Dimensions	mm	325x325x31	325x325x111
Power Consumption	W	-	110 (140)
Current Consumption	A	-	0.50/0.72
Overcurrent Protection	-	-	Thermal
Electrical Connection	-	-	4-pole terminal
Operating Temperature	°C	-10/+70	
Protection Degree	-	IP54	IP54 / Class I
Noise Level	dB(A)	-	65 (68)
Flow Direction	-	-	Outside-In
Bearing	-	-	Ball
Plastic Material	-	UL94 V0 ABS Flame Retardant	
Gasket	-	Polyurethane sealing	
Colour	-	RAL7035 (RAL7032 on request)	
Weight	kg	0.70	4.12
Mounting	-	Fast Clip-on	
Conformity	-	CE	

Ventilation / Filter Fans - 850m<sup>3</sup>/h

